

# Front Side Marker Light Bulb

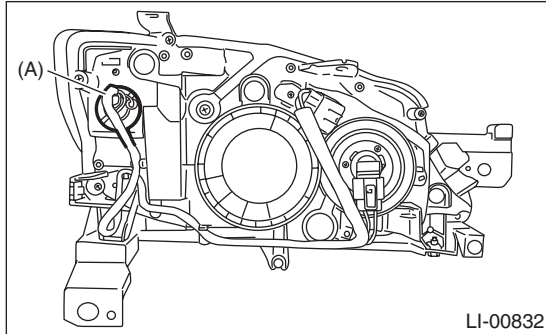
## LIGHTING SYSTEM

---

### 15. Front Side Marker Light Bulb

#### A: REMOVAL

- 1) When removing the front side marker light bulb, fully turn the steering wheel in the opposite direction from the front side marker light bulb to be removed.
- 2) Disconnect the ground cable from battery.
- 3) Turn the mud guard inward.
- 4) Turn socket (A) from the wheel arch, and remove the front side marker light bulb.



#### B: INSTALLATION

Install each part in the reverse order of removal.

#### C: INSPECTION

- 1) Visually check the bulb for blow out.
- 2) Check the bulb specification. <Ref. to LI-2, SPECIFICATION, General Description.>
- 3) Replace the bulb if it is found defective.